

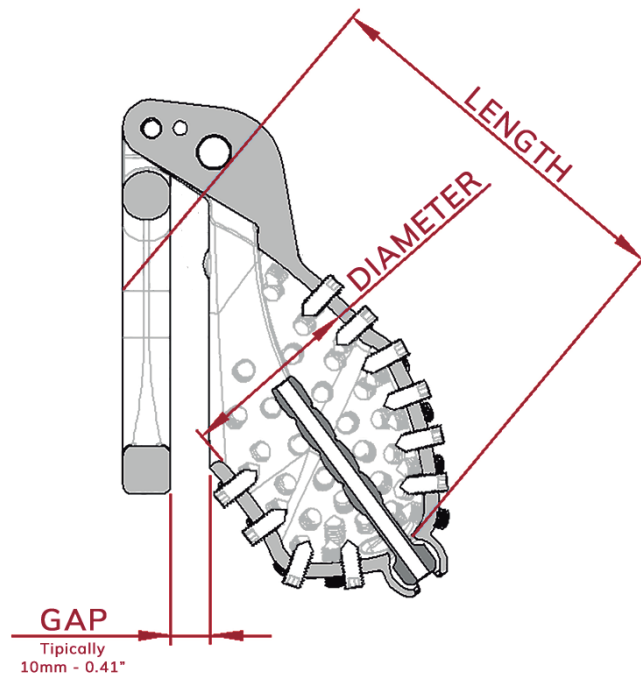
Spanish Cage Customisation

Thank you for your interest in our Spanish Cage! We are excited to offer you a variety of customisation options to create the perfect fit for your needs. Below is an overview of the customisation process and options.

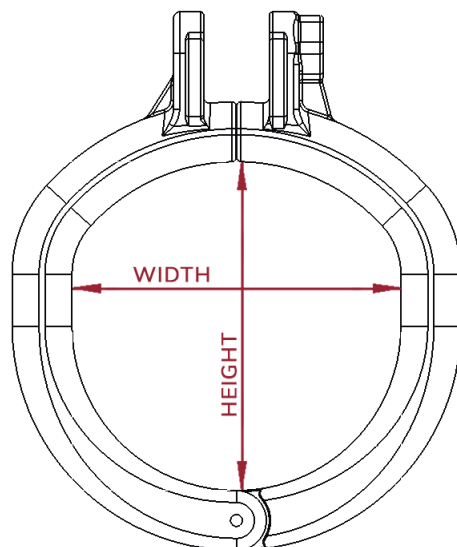
You can customise your Spanish Cage in one of two ways:

- Provide the desired measurements.
- Penis Size Calculation: If you prefer, we can calculate the required measurements based on your penis size. Click [here](#) for a guide on how to take the measurements.

The cage is configured through three measurements that you can see in the image below.



The Base Ring is configured through two measurements (interior width and height) that you can see in the image below.



CUSTOMISABLE BASE RING

We have several base ring models available which you can see in the pictures below but we can also create a different custom ring for you upon request.



Standard Base Ring



Comfort Base Ring



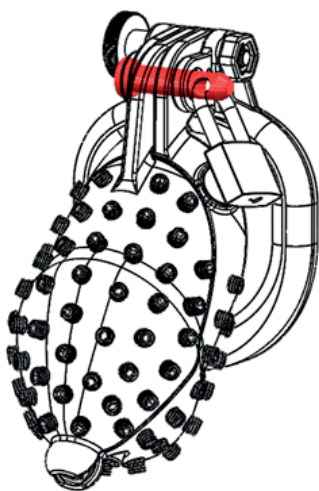
Spiked Base Ring



Wide Base Ring

PIN LOCK COLOUR OPTIONS

For the pin holding the lock, you can choose from the following colours: Black, red, yellow, white or blue.



URETHRAL PROBE CUSTOMISATION

You can have the cage without the probe holder and with the classic slot, or you can have the probe holder and customise it to the desired diameter (You will find the available sizes in the following page).

It is also possible to use the cage without the probe mounted.

Urethral probe diameter availables:



IMPORTANT!

The advertised price includes a customized cage and ring, both tailored to your size specifications, as well as a pinlock in your chosen color and a probe in your selected size. Please note that the standard customizable cage does not feature vents, comes with a standard base ring, and is available in an elegant matte black finish.

For an additional cost, we offer a wide range of customization options, including:

- Adding ventilation.
- Altering the shape of the cage.
- External custom painting of the cage in your preferred color.
- Extreme sharp spikes for cage and ring (all spikes or a few).
- Customisation of base ring shape.

And much more!

If you have further questions or want to place an order, please do not hesitate to [contact us](#). We are here to assist you in creating the perfect Spanish Cage tailored to your specifications!